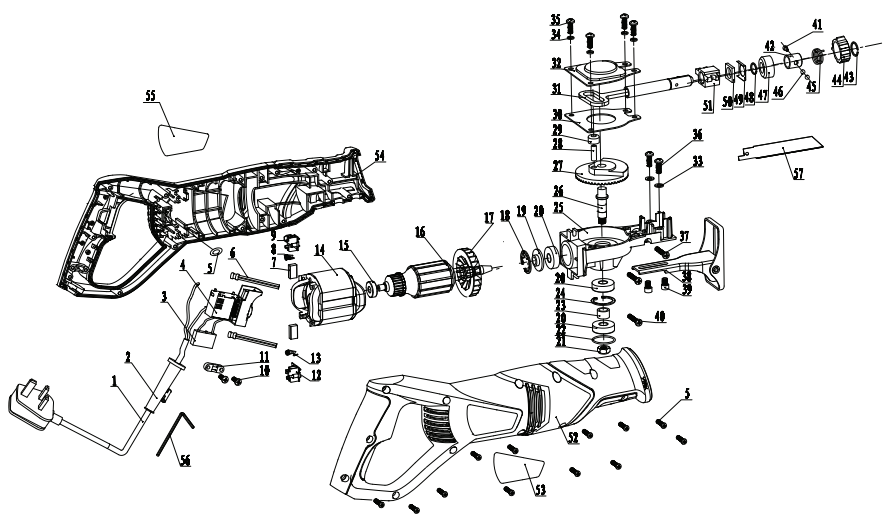


# Exploded drawing of Reciprocating Saw RD-RS29



## Spare parts list of Reciprocating Saw RD-RS29

No.	Parts Name	QTY
1	VDE Plug	1
2	Cord Sheath	1
3	Capacitor	1
4	Variable Speed Switch	1
5	O-ring	1
6	Inductance	2
7	Carbon Brushes	2
8	Spring	1
9	Top Brush Holder	1
10	Screw	12
11	Line Pressing board	1
12	Bottom Brush Holder	1
13	Spring	1
14	stator	1
15	Deep Groove Ball Bearing	1
16	Rotor	1
17	Fan	1
18	Hole Check Ring	1
19	Washer	1
20	Deep Groove Ball Bearing	1
21	Lock Nut	1
22	O-ring	1
23	Spacer Bush	1
24	Hole Check Ring	1
25	Gear box	1
26	Gear Shaft	1
27	Gear	1
28	Needle Pin	1
29	Roller	1
30	Gear Baffle	1
31	Reciprocating Shaft Assembly	1
32	Output Guide	1
33	Washer	2
34	Spring Washer	4
35	Screw	4
36	Screw	2
37	Screw	1
38	Support Board	1
39	Screw	2
40	Screw	2

41	Pin	1
42	Inner Ring	1
43	Circlip for shaft	1
44	Outer Ring	1
45	Spring	1
46	Steel Ball	2
47	Plastic Circle	1
48	Circlip for shaft	1
49	Cover for Felt Ring	1
50	Wool Felt	1
51	Oil Bearing	1
52	Right Housing	1
53	Nameplate	1
54	Left Housing	1
55	Lable	1
56	Spanner	1
57	Blade	1